



Tesca Portable Ammeters & Voltmeters are designed for use in the field, test rooms and laboratories where precision measurement is required. These Portable Instruments can be used equally well in precision research laboratories where carefully controlled atmosphere conditions are secured, in educational institutions where possible misuses exist and in factories where these instruments are important for making calibration check on switchboard and panel instruments.

**Features:**

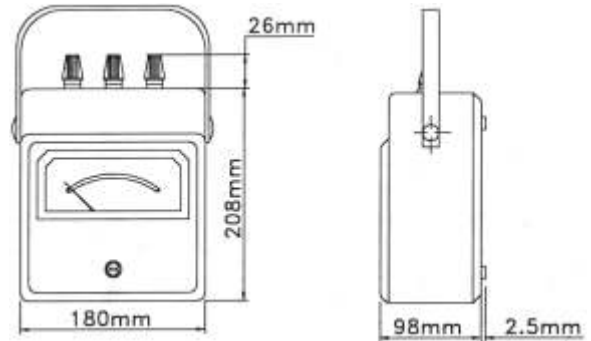
- **Knife edge Pointer & Anti-parallax mirror scale.**
- **Tough Bakelite Case :** The complete body of the instrument is made from superior grade of bakelite. Unique design makes it very strong in construction and at the same time provides very high insulation.
- **Shock resistant Pivot jewel movements :** The pivots are made from Carbon Steel hard chrome plated and are mounted in spring loaded sapphire jewels. This ensures shock resistance due to vibrations in transit and minimum friction during use.
- **Dust Proof :** The Movement is placed in a separate compartment making it completely dust proof, thus ensuring long life and years of trouble free service.
- **Minimised Heating of Voltmeters or less internal heating due to low VA-loss :** The resistance of voltmeters are housed separately in a ventilated compartment making heating problems negligible
- **Quick Response** due to unique damping.
- **Confirming to BS 89, IEC 51 & ISS 1248.**

**Specifications:**

- Scale Length** : 140mm approx
- Test Voltage** : 200V AC (rms) for 1 minute
- Insulation Resistance** : Over 20 Megohms at 500V DC
- Sensitivity** : 1000 ohms/V for DC Meters.

**Dimensions:**

**Bakelite Case**



**Moving Iron / AC Voltmeters**

| Order Code | Accuracy   | Range (Choose Any One)  |
|------------|--|---|
| 20027      | Class 0.5 as per ISS 1248/83                           | 0-62.5/125/250V, 75/150/300V, 0-125/250/500V, 150/300/600V              |
| 20028      | Class 1.0 as per ISS 1248/83                           | 0-15, 30, 60, 75, 100, 125, 150, 250, 300, 500, 600V                    |
| 20029      | Class 1.0 as per ISS 1248/83                           | 0-15/30, 30/60, 75/150, 62.5/125, 125/250, 150/300, 250/500, 300/600V   |
| 20030      | Class 1.0 as per ISS 1248/83                           | 0-15/30/60, 75/150/300, 62.5/125/250, 125/250/500, 150/300/600V         |
| 20031      | Class 2.5 as per ISS 1248/83<br>Sensitivity 1000Ohms/V | 0-7.5, 15, 30, 60, 75, 125, 150, 300, 500, 600V                         |
| 20032      | Class 2.5 as per ISS 1248/83<br>Sensitivity 1000Ohms/V | 0-7.5/15, 15/30, 30/60, 75/150, 125/250, 150/300, 300/600V              |
| 20033      | Class 2.5 as per ISS 1248/83<br>Sensitivity 1000Ohms/V | 0-7.5/15/30, 15/30/75, 30/75/150, 75/150/300, 125/250/500, 150/300/600V |

Note: Specifications are subject to change.

**Tesca Technologies Pvt. Ltd.**

IT-2013, Ramchandrapura Industrial Area, Sitapura Extension,  
Near Bombay Hospital, Vidhani Circle, Jaipur-302022, Rajasthan, India,  
Tel: +91-141-2771791 / 2771792; Email: info@tesca.in, tesca.technologies@gmail.com  
Website: www.tesca.in

### Moving Iron / AC Ammeters:

| Order Code | Accuracy                     | Range (Choose Any One)   |
|------------|------------------------------|--|
| 20034      | Class 0.5 as per ISS 1248/83 | 0-0.2/1, 0.5/2.5, 1/5, 2/10A   |
| 20035      | Class 1.0 as per ISS 1248/83 | 0-50, 100, 250, 500mA<br>0-1, 2, 2.5, 3, 5, 10, 20, 30, 40, 50, 60, 75, 100A |
| 20036      | Class 1.0 as per ISS 1248/83 | 0-1/2, 2.5/5, 5/10, 10/20, 15/30, 25/50, 50/100A                             |
| 20037      | Class 1.0 as per ISS 1248/83 | 0-1/3/10, 3/10/30, 5/10/25, 10/30/100, 10/25/50, 25/50/100A                  |
| 20038      | Class 1.0 as per ISS 1248/83 | 0-1/3/10/30/100, 5/10/25/50/100A   |
| 20039      | Class 2.5 as per ISS 1248/83 | 0-10, 15, 25, 50, 75, 100, 200, 250, 300, 500, 750mA                         |
| 20040      | Class 2.5 as per ISS 1248/83 | 0-1 to 30A (Any Single Range)  |

### Moving Coil / DC Voltmeters

| Order Code | Accuracy   | Range (Choose Any One)   |
|------------|--|--|
| 20041      | Class 0.5 as per ISS 1248/83<br>Sensitivity 1000Ohms/V | 0-1/3/10/30, 0-3/10/30/100, 0-30/100/300/600V  |
| 20042      | Class 1.0 as per ISS 1248/83<br>Sensitivity 1000Ohms/V | 0-50, 75, 100, 150, 250, 300, 500, 750mV<br>0-1, 3.5, 7.5, 15, 30, 60, 75, 125, 150, 250, 300, 500, 600V   |
| 20043      | Class 1.0 as per ISS 1248/83<br>Sensitivity 1000Ohms/V | 0-50/100, 75/150, 125/250, 150/300, 300/600, 500/1000mV<br>0-1.5/3, 7.5/15, 15/30, 30/60, 75/150, 125/250, 150/300, 250/500, 300/600V                              |
| 20044      | Class 1.0 as per ISS 1248/83<br>Sensitivity 1000Ohms/V | 0-50/100/200, 75/150/300, 125/250/500, 150/300/600, 250/500/1000mV<br>0-1.5/3/7.5, 3/7.5/15, 7.5/15/30, 15/30/75, 30/75/150, 125/250/500, 75/150/300, 150/300/600V |
| 20045      | Class 1.0 as per ISS 1248/83<br>Sensitivity 1000Ohms/V | 0-50/100/250/500, 75/150/300/600, 125/250/500/1000mV<br>0-1.5/3/7.5/15, 3/7.5/15/30, 15/30/75/150, 7.5/15/30/60, 75/150/300/600V                                   |
| 20046      | Class 1.0 as per ISS 1248/83                           | 0-0.3/1/3/10, 3/10/30/100, 30/100/300/600V   |

### Moving Coil / DC Ammeters:

| Order Code | Accuracy                     | Range (Choose Any One)   |
|------------|------------------------------|--|
| 20047      | Class 0.5 as per ISS 1248/83 | 0-0.1/0.3/1/3, 1/3/10/30, 10/30/100/300mA<br>0-0.1/0.3/1/3A                            |
| 20048      | Class 0.5 as per ISS 1248/83 | 0-1/3/10/30A   |
| 20049      | Class 1.0 as per ISS 1248/83 | 0-100, 150, 200, 250, 300, 500, 750uA  |
| 20050      | Class 1.0 as per ISS 1248/83 | 0-1, 2.5, 5, 10, 15, 25, 50, 75, 100, 200, 250, 300, 500, 750mA                        |
| 20051      | Class 1.0 as per ISS 1248/83 | 0-1/2, 2.5/5, 5/10, 10/20, 15/30, 25/50, 75/150, 150/300, 250/500, 300/600, 500/1000mA |
| 20052      | Class 1.0 as per ISS 1248/83 | 0-1, 2, 2.5, 5, 10, 15, 20, 25, 30, 50A  |
| 20053      | Class 1.0 as per ISS 1248/83 | 0-1/2, 2.5/5, 5/10, 10/20, 15/30, 25/50A   |
| 20054      | Class 1.0 as per ISS 1248/83 | 0-75, 100, 150, 200, 250, 300, 500, 750, 1000, 1500A (With External Shunt)             |
| 20055      | Class 1.0 as per ISS 1248/83 | 0-0.1/0.3/1/3, 1/3/10/30, 10/30/100/300mA<br>0-0.1/0.3/1/3, 1/3/10/30A                 |

Note: Specifications are subject to change.

**Tesca Technologies Pvt. Ltd.**

IT-2013, Ramchandrapura Industrial Area, Sitapura Extension,  
Near Bombay Hospital, Vidhani Circle, Jaipur-302022, Rajasthan, India,  
Tel: +91-141-2771791 / 2771792; Email: info@tesca.in, tesca.technologies@gmail.com  
Website: www.tesca.in