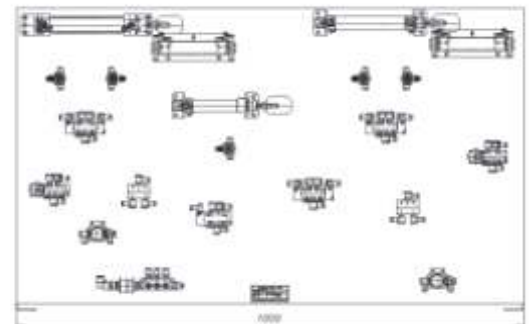
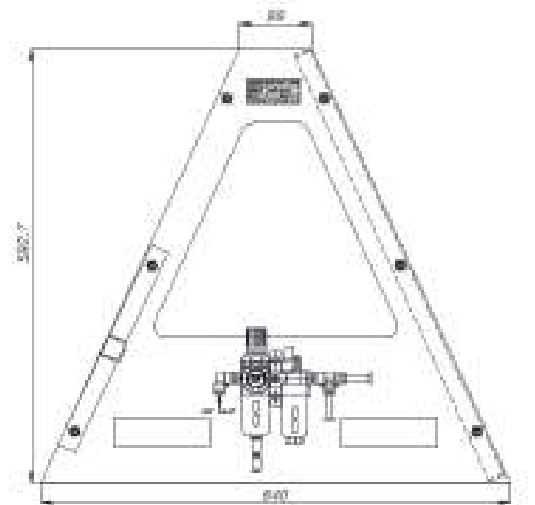




The pneumatic trainer kit is designed with capability to demonstrate the design, construction and application of pneumatic components and circuits.

Sr.No.	Item Description	Qty.
1	Air preparation unit	1
2	Junction box with slide valve	1
3	Double acting cylinder Tie rod model	1
4	Double acting cylinder – Crimping model	1
5	Single acting cylinder – Crimping model	1
6	Roller Lever valve	4
7	Inline flow control valve	5
8	5/2 way double external pilot operated valve	3
9	5/2 way Single External pilot operated valve with spring return	1
10	5/2 Hand lever valve with Sp. return	1
11	5/2 Hand lever valve with detent	1
12	3/2 NC Valve with switch(Flush head - Green)	1
13	3/2 NC Valve with switch(Flush head - Red)	1
14	Quick exhaust valve	1
15	OR Valve	1
16	AND Valve	1
17	Pneumatic text book	1
18	Pneumatic exercise book - Basic	1



Note: Specifications are subject to change.

Tesca Technologies Pvt. Ltd.

IT-2013, Ramchandrapura Industrial Area, Sitapura Extension,
Near Bombay Hospital, Vidhani Circle, Jaipur-302022, Rajasthan, India,
Tel: +91-141-2771791 / 2771792; Email: info@tesca.in, tesca.technologies@gmail.com
Website: www.tesca.in