

Features:

- Flat Coupling
- Broadband
- Economical
- Small & Rigid design

Description:

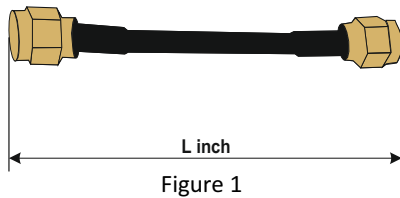
The TFDCF448-728 is a 6.75 dB ± 0.5 dB coupling Directional coupler. TFDCF 448-728 offers an industry leading combination of operating bandwidth and size. The low insertion loss makes this product a versatile for use in a variety of systems and sub system designs.

Applications:

- 5G sub 6GHz
- Wi-Fi / WIMAX
- Bluetooth
- Zigbee

Optional Accessories:

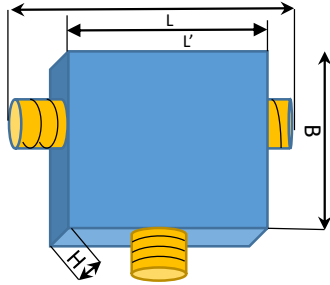
- SMA(M) to SMA(M) 50 Ohms cable as per user requirement (Figure. 1)
- 50Ω Termination
- Directional Coupler Kit

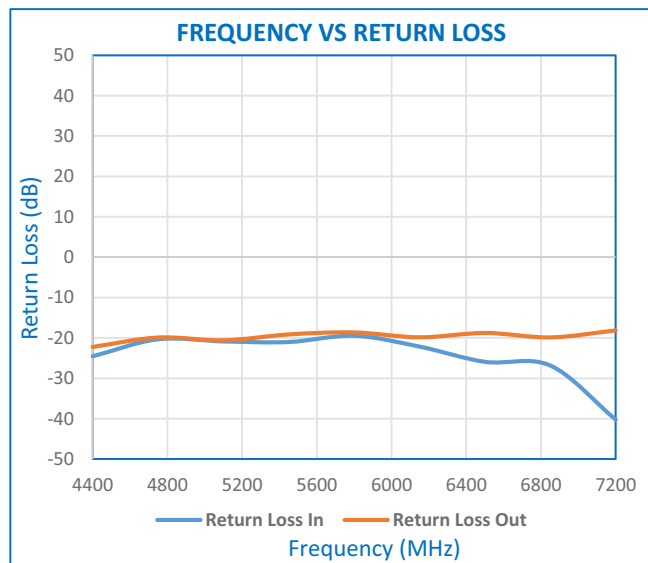
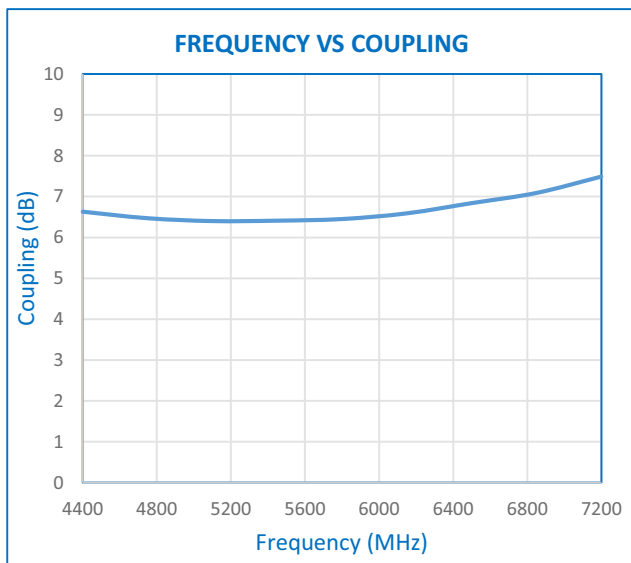


Electrical Specifications:

Frequency Range:	4.4MHz to 7.2 GHz
Insertion Loss:	2.6dB (Max.)
Input Power:	+27dBm (Max.)
Coupling:	6.5dB ± 0.5 dB
Return Loss (Input):	-17dB Min
Return Loss (Output):	-17dB Min
Operating temperature:	0 °C to 50 °C
In/Out Connector:	SMA (F)

Mechanical Specification:

Dimension (L x W x H) (mm) :	
	
<p style="text-align: right;">L = 61.5 L' = 42.5 B = 42.5 H = 16.9</p>	
Shape:	Rectangular Cuboidal Shape
Weight:	55gm



Note: Specifications are subject to change.