



**Features:**

- High Isolation
- Low Insertion loss
- Fast Switching time
- Absorptive Switch
- Low current consumption
- Wide bandwidth
- Economical
- Small & Rigid design
- 5V Operated

**Description:**

The TFLSW107-608-1P4T is a single pole double throw (SPDT) switch designed for applications requiring very low insertion loss and high power handling capability. The excellent linearity performance of the TFLSW106-608-1P4T makes it ideal for use.

**Applications:**

- Defence
- Test & Measurements
- Switch Matrices
- Antenna Switching Applications
- Bluetooth/WIFI/WIMAX/LORA/Zigbee
- Antenna switching applications

**Standard Accessories:**

- USB Charger (5V, 2A) (Figure. 1)

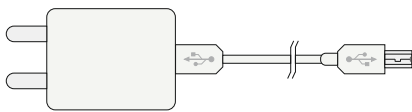


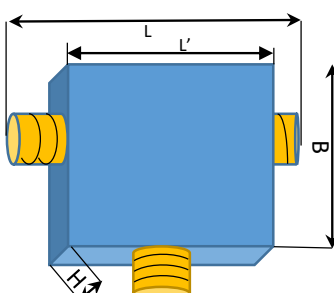
Figure 1

Truth Table:		
Output	State of Control Voltage:	
	Control 1	Control 2
RF 1	High	Low
RF 2	Low	High
RF 3	High	High
RF 4	Low	Low

**Electrical Specifications:**

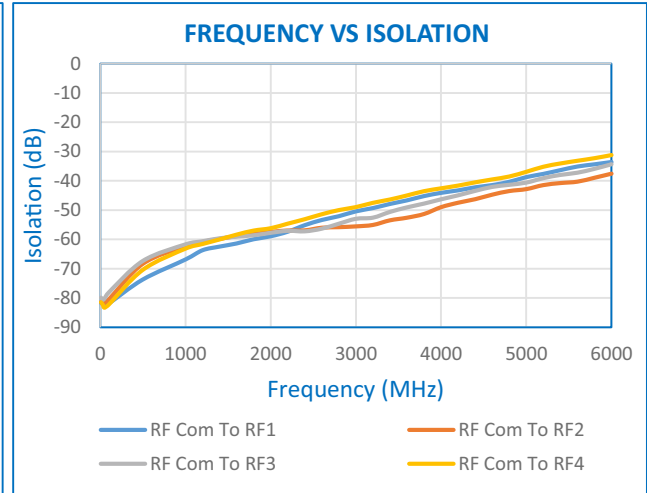
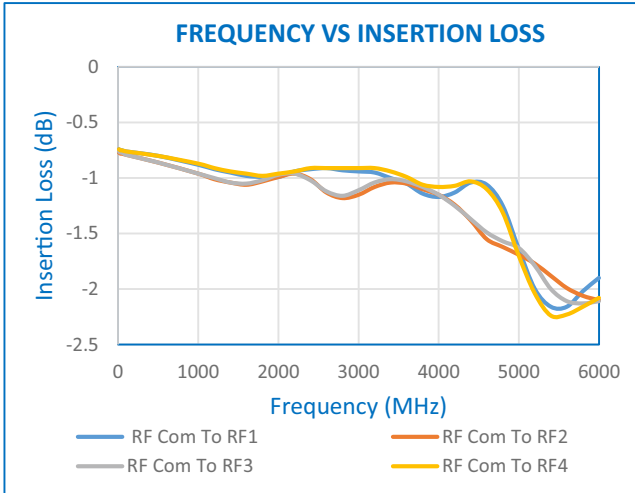
Frequency Range:	30MHz to 6GHz
Input Power:	+27dBm (Max.)
In/Out Impedance:	50 Ohm
Return Loss:	-12dB Min
<b>Insertion Loss:</b>	
100 – 1000 (MHz)	0.9dB (Typical)
1000 – 2000 (MHz)	1.1dB (Typical)
2000 – 3000 (MHz)	1.15dB (Typical)
3000 – 4000 (MHz)	1.25dB (Typical)
4000 – 5000 (MHz)	1.9dB (Typical)
5000 – 6000 (MHz)	1.9dB (Typical)
<b>Isolation (RF Com to RF1/RF2):</b>	
100 – 1000 (MHz)	61dB (Typical)
1000 – 2000 (MHz)	55dB (Typical)
2000 – 3000 (MHz)	52dB (Typical)
3000 – 4000 (MHz)	43dB (Typical)
4000 – 5000 (MHz)	32dB (Typical)
5000 – 6000 (MHz)	32dB (Typical)
1.0dB Input Compression:	+35dBm
Operating temperature:	0 °C to 50 °C
Input Supply:	+5V To +5.5V DC
In/Out Connector:	SMA (F)
Power Consumption:	0.3Watt (Max.)

**Mechanical Specifications:**

Dimension (mm :	 <p>L = 39.4 L' = 38.9 B = 42.5 H = 16.9</p>
Shape:	Rectangle Cuboidal Shape
Weight:	55 gm

Note: Specifications are subject to change.

**Normalized Performance Data:**



Note: Specifications are subject to change.

