

Features:

- Low Noise
- Economical
- Small & Rigid design

Description:

The TFPR158-228-A16 is a broadband, Ultra Low Phase Noise RF Amplifier for phase noise measurement of devices with low output power. This amplifier is also excellent for laboratory and manufacturing applications.



Applications:

- GPS, PCS, GSM, Cellular
- Wireless Data
- High Dynamic Range
- Defense & Satellite communication

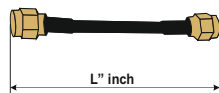


Figure 2

Standard Accessories:

- USB Charger (5V, 2A) (Figure. 1)

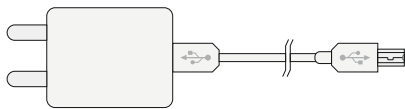


Figure 1

Optional Accessories:

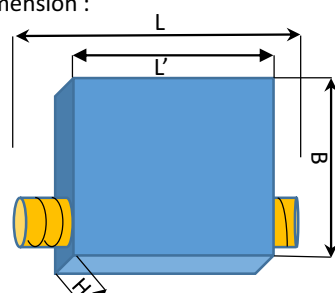
- Attenuator Kit
- Directional Coupler Kit
- Antenna Kit
- Adapter Kit
- Filter Kit
- Cable as per user Requirement (Fig 2)

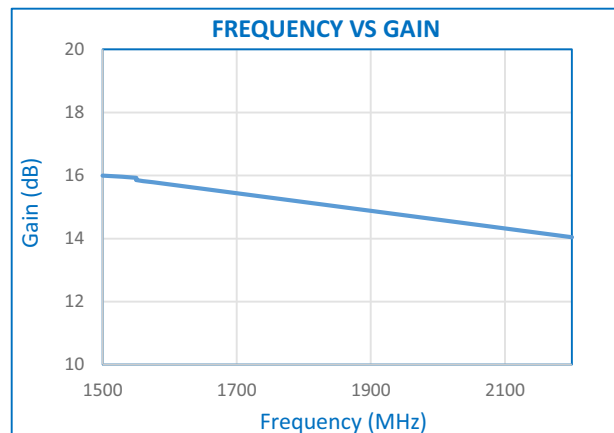


Electrical Specifications:

Frequency Range:	1.5 to 2.2GHz
Gain:	+15 dB ± 1 dB
Input Power:	+5dBm (Max.)
In/Out Impedance:	50 Ohm
Noise Figure:	Typical 1.1dB
Operating temperature:	0 °C to 50 °C
Supply:	+5V To +5.5V DC
In/Out Connector:	SMA (F)
Power Consumption:	0.96 Watt (Max.)

Mechanical Specification:

Dimension :	
	<p>L = 65.4</p> <p>L' = 46.4</p> <p>B = 42.8</p> <p>H = 16.9</p>
Shape:	Rectangle Cuboidal Shape
Weight:	80 gm



Note: Specifications are subject to change.