



**Features:**

- Economical
- Small & Rigid design
- High Isolation
- Low Insertion Loss

**Description:**

The RFSCF288-428 is a 2-way 0° Power Splitter / Combiner. The operational performance of this product are distinctive. This product can be used in a range of system and subsystem designs due to the excellent phase, amplitude imbalance and Low Insertion Loss.

**Applications:**

- ISM
- WLAN
- WIFI

**Optional Accessories:**

- SMA(M) to SMA(M) 50 Ohms cable as per User's requirement (L) (Figure. 1)

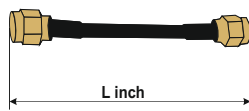
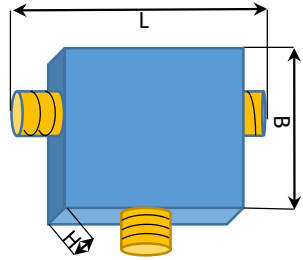


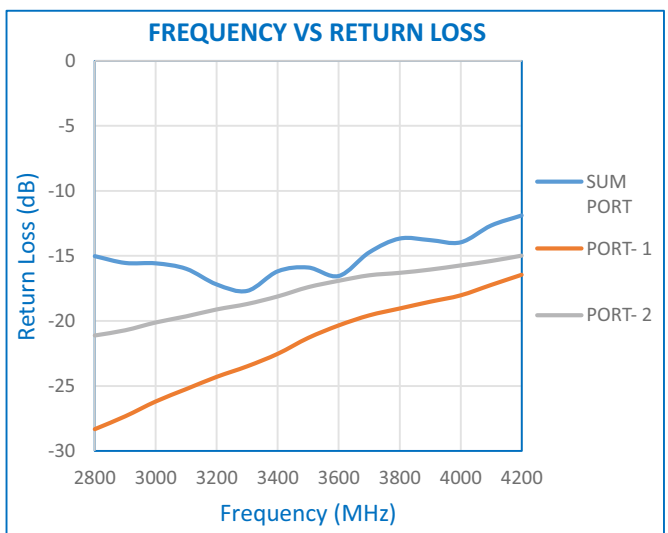
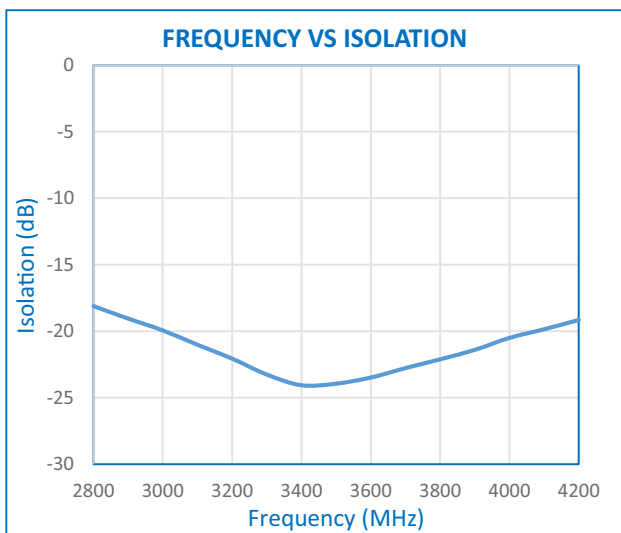
Figure 1

**Electrical Specifications:**

Frequency Range:	2.8 to 4.2 GHz
Insertion Loss:	Max. 1.7dB
<b>Input Power:</b>	
Sum Port:	+20dB (Max.)
Port 1:	+27dB (Max.)
Port 2:	+27dB (Max)
Isolation:	Min. 16dB
Return Loss (Input):	Min. 11dB
Return Loss (Output):	Min. 15dB
Operating temperature:	0 °C to 50 °C
In/Out Connector:	SMA Female Flange Mount

**Mechanical Specifications:**

Dimension (mm):	
	(L) = 61.5 (B) = 42.9 (H) = 16.9
Shape:	Rectangular Cuboid Shape
Weight:	55 gm



Note: Specifications are subject to change.