



Product Description

Heavy-duty manual hydraulic press designed for pressing, straightening, bending, bearing installation/removal, and general workshop applications. The compact design integrates the hydraulic system within the frame for easy operation and space-saving installation.

Technical Specifications

Parameter	Specification
Press Type	Manual Hydraulic Press
Capacity	30 Ton
Hydraulic Stroke	95 / 120 mm
Extension Stroke	75 mm
Total Stroke	170 mm
Minimum Working Height (G1)	180 mm
Maximum Working Height (G2)	630 mm
Overall Width (A)	670 mm
Overall Depth (B)	650 mm
Overall Height (C)	1750 mm
Ram Diameter (D)	120 mm
Bed Width (E)	550 mm
Approx. Weight	137 kg

Features

- Heavy-duty **30-ton** pressing capacity

Note: Specifications are subject to change, Photos shown above are Indicative, Actual Product can Vary.



Export Sales: +91-9829132777
India Sales: +91-9588842361



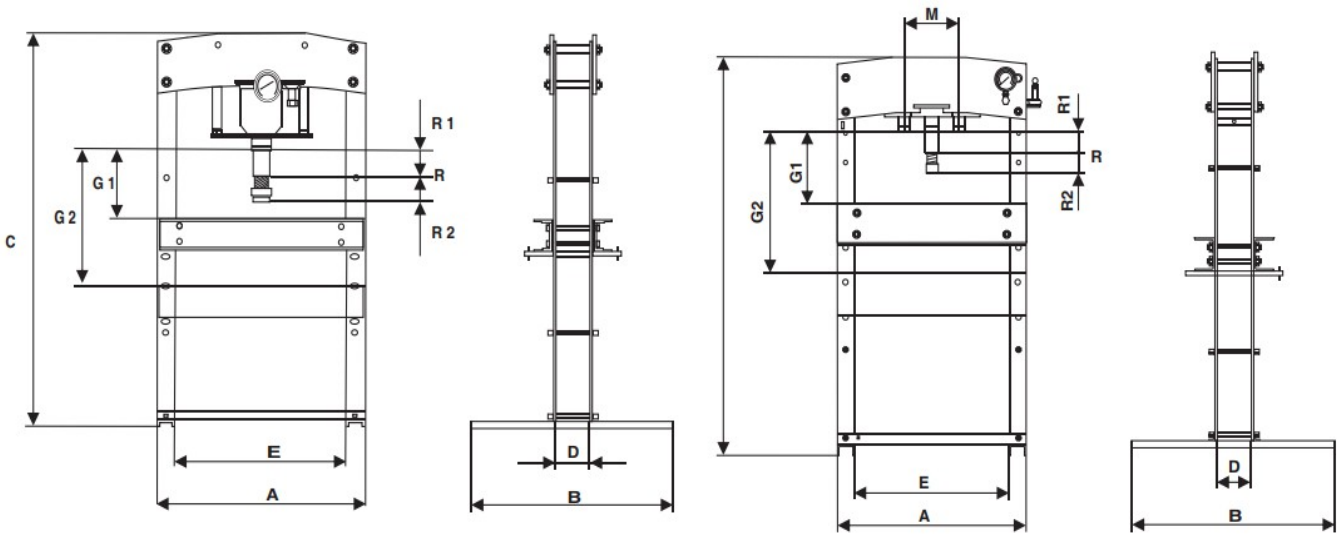
IT-2013, Ramchandrapura Industrial Area,
Sitapura Extension, Jaipur-302022, India.



info@tesca.in
www.tescaglobal.com

- Manual hydraulic operation
- Integrated hydraulic unit within the frame
- Adjustable working table
- Compact, space-saving design
- Robust welded steel construction
- Supplied with a pair of V-blocks
- Floor-mounting legs for enhanced stability
- Suitable for workshops, maintenance facilities, and training institutes

Reference for Dimensions:



Note: Specifications are subject to change, Photos shown above are Indicative, Actual Product can Vary.



Export Sales: +91-9829132777
India Sales: +91-9588842361



IT-2013, Ramchandrapura Industrial Area,
Sitapura Extension, Jaipur-302022, India.



info@tesca.in
www.tescaglobal.com