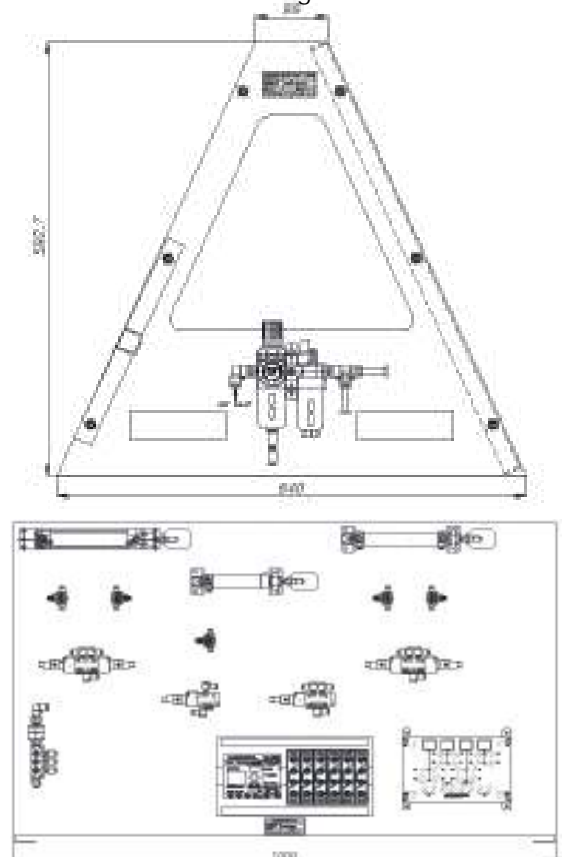




The "Electro pneumatic kit with PLC" consists of all the capabilities mentioned under the electro pneumatic training kit, as well as surpasses their capabilities by its flexibility in designing circuits & possibilities of achieving numerous logical circuits using the software interface, with no need for alterations in the connections given to the sensors / actuators.

Sr.No.	Item Description	Qty.
1	Air preparation unit	1
2	Junction box with slide valve	1
3	Double acting cylinder – Tie rod model	1
4	Double acting cylinder – Crimping model	1
5	Single acting cylinder – Crimping model	1
7	Inline flow control valve	5
8	5/2 way Double solenoid operated valve	2
9	5/2 way Single solenoid operated valve with spring return	2
10	Logo PLC assembly	1
11	Logo programming software	1
12	Logo programming cable	1
13	Electrical push button with selector switch	1
14	Electro pneumatic text book with PLC	1
15	Electro pneumatic exercise book with PLC - Basic	1



Note: Specifications are subject to change.

**Tesca Technologies Pvt. Ltd.**

IT-2013, Ramchandrapura Industrial Area, Sitapura Extension,  
Near Bombay Hospital, Vidhani Circle, Jaipur-302022, Rajasthan, India,  
Tel: +91-141-2771791 / 2771792; Email: info@tesca.in, tesca.technologies@gmail.com  
Website: www.tesca.in